



HOW TO REPLACE ANGLES (THIS IS A SUGGESTION ONLY)

1. Remove all angle strip bolts.
2. If bolts are rusted it may require the use of a cutting torch, air chisel or bolt cutter.
3. Slightly raise the bed to take the weight off of the angles.
4. Make a diagram & measurements of the angle location so new angles will be put back in the proper place. There will be a right/left hand if using punched angles.
5. Remove the wood.

CHOICES

- A. Drill ¼" holes through each spot weld location. These will appear approximately every 3" along the bed side. In case some of the welds are not completely drilled out by the ¼" hole-use a bigger drill or sometimes the angle may be pried loose with a screwdriver.
*** Be careful not to overlook any spot welds.
 - B. Grind the spot welds off using a body grinder. At this time do any necessary body work.
6. Clamp new angle in place.
 7. Make sure the angle is straight-Check along the entire strip (not just the ends)
 8. Check to see if angles are on proper right/left hand sides.
 - A. Weld the angle onto the bed side from the outside-welding right through the holes you drilled. Grind the welds smooth on the outside. Be careful not to use the excessive heat which would burn through the angle.
 - B. Angles can be bolted onto the bed sides. 5/16" Phillips pan head bolts are available for this purpose.
 1. First, drill the end holes-put in bolt and add nut & lockwasher to the bolt, this helps hold the angle in place even though it is clamped in place.
 2. Continue drilling the holes along the angle working towards the center. You will be drilling through the bed side and angle at the same time. Repeat every 6" until angle strip is attached.

If bolting angles onto the bed side you may want to use an acorn nut to cover bolts that are not hidden by the fender or stake pocket. This is for appearance only.

Another Outstanding Part Manufactured in Oklahoma City, USA by



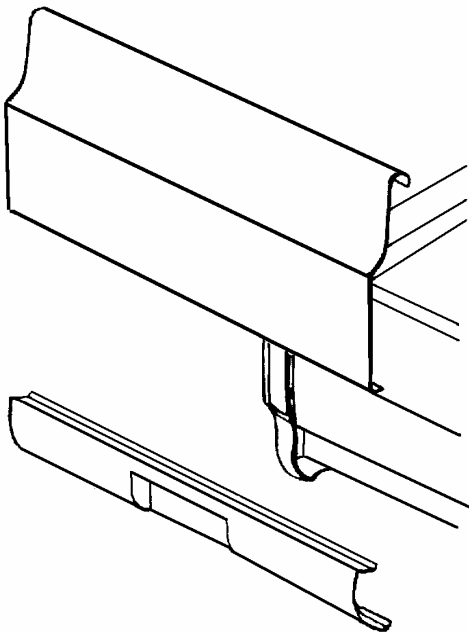
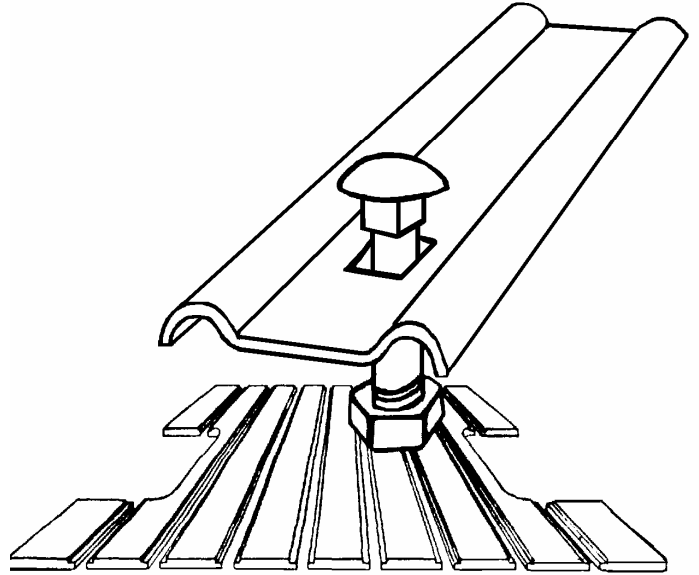
©Copyright 2007 MAR-K Quality Parts L.L.C. All rights reserved.

RESTORATION & CUSTOM PICKUP PARTS

BED STRIPS

BED WOOD

- Bed Sides
- Tailgates
- Cross Sills
- Rear Sills
- Hardware
- Front Bed Panels



REAR PANS

FRONT PANS

TAILGATE COVERS

HANDLE KITS

- Weld on or bolt on panels
- Complete instructions included
- 18 Gage steel
- Smooth or Louvres

**** PARTS AVAILABLE VARY EACH STYLE – CALL FOR MORE INFO****