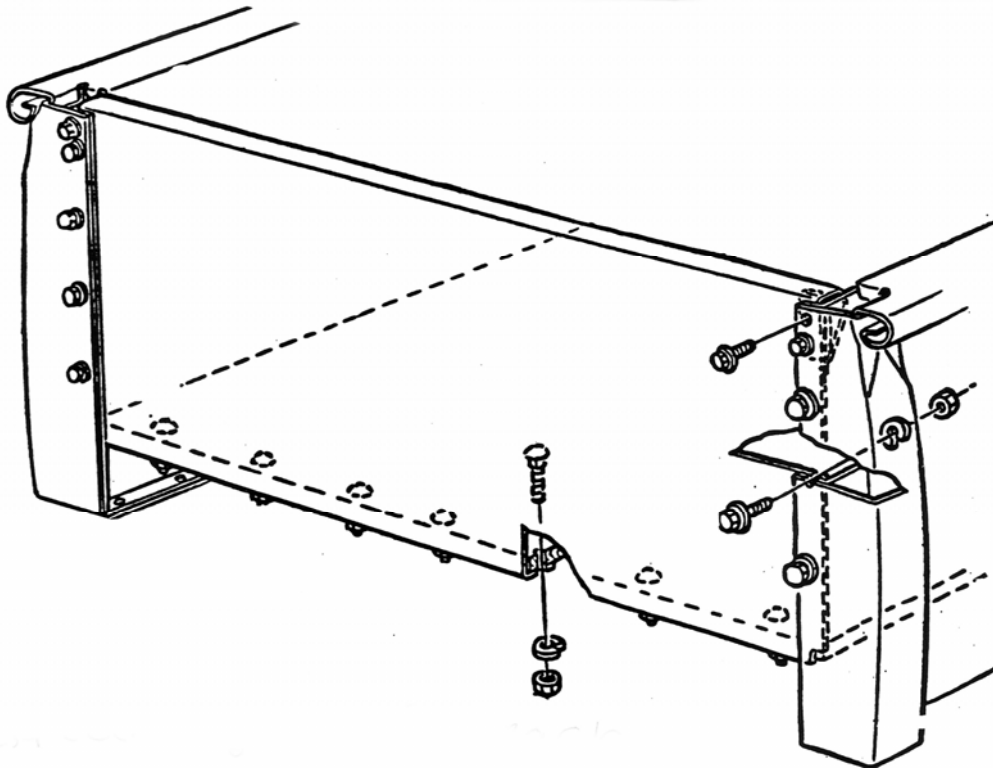


FRONT BED PANEL HARDWARE KIT INSTALLATION GUIDE 54-87 GM STEPSIDE

This kit supplies the hardware necessary to bolt the front bed panel to the bedsides. The following steps will guide you through the installation procedures for replacing your front bed panel hardware.

1. Install front bed panel between bedsides with the curled portion upward. The lower lip of the front panel goes under the front of the wood boards.
2. Install a 5/16"-18 x 3/4" indented hex head bolt through the top two holes in each bedside and thread them into the front bed panel curl area. There is a device welded in the curl area of the front panel that serves as nuts. Tighten hand tight for now.
3. Continue bolting the front bed panel to each bedside working from the top down. The bolts can be installed from the outside or the inside of the bed assembly with the lockwashers and nuts on the opposite side. For example: The GM factory assembly manuals show that the bolts are on the inside of the bed on a 55-59 stepside and are on the outside of the bed on a 67-72 stepside. This basically is a preference with the builder.
4. After the wood floor and strips are installed, attach the front bed strip carriage bolts through the bed strips and through the front bed panel lower flange. (These bolts are not included in the front bed panel mounting bolt kit.) Tighten all bolts attaching front bed panel to bedsides and wood floor.



*See specific bed assembly instructions for each year.

©Copyright 2004 MAR-K Specialized Mfg. All rights reserved.

Another Outstanding Part Manufactured in Oklahoma City, USA by

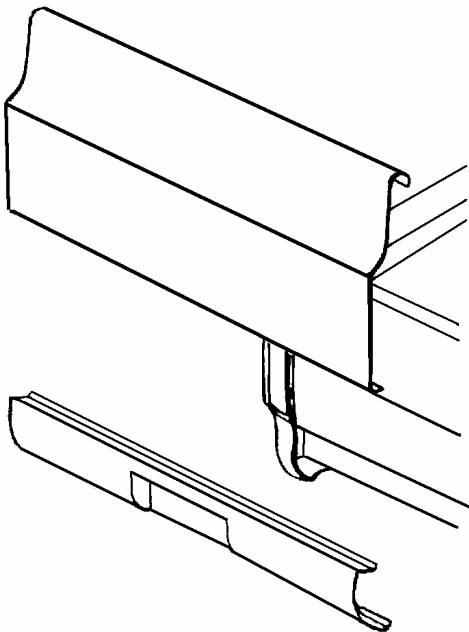
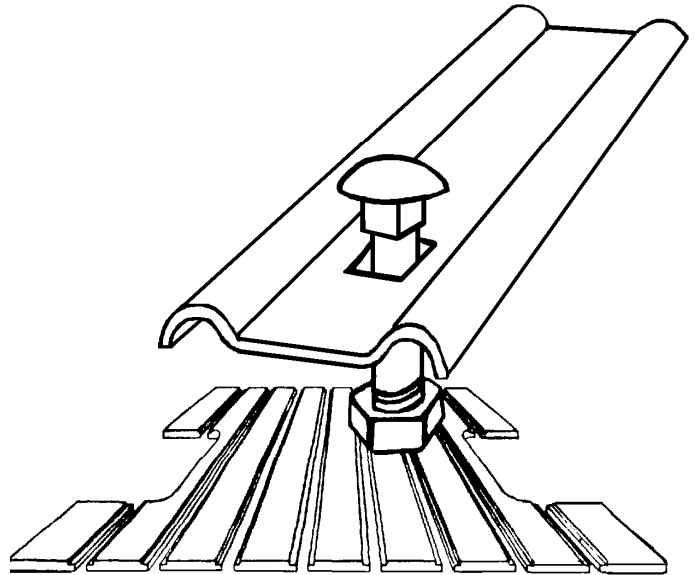


RESTORATION & CUSTOM PICKUP PARTS

BED STRIPS

BED WOOD

- Bed Sides
- Tailgates
- Cross Sills
- Rear Sills
- Hardware
- Front Bed Panels



REAR PANS FRONT PANS TAILGATE COVERS HANDLE KITS

- Weld on or bolt on panels
- Complete instructions included
- 18 Gage steel
- Smooth or Louvres

**** PARTS AVAILABLE VARY EACH STYLE – CALL FOR MORE INFO****