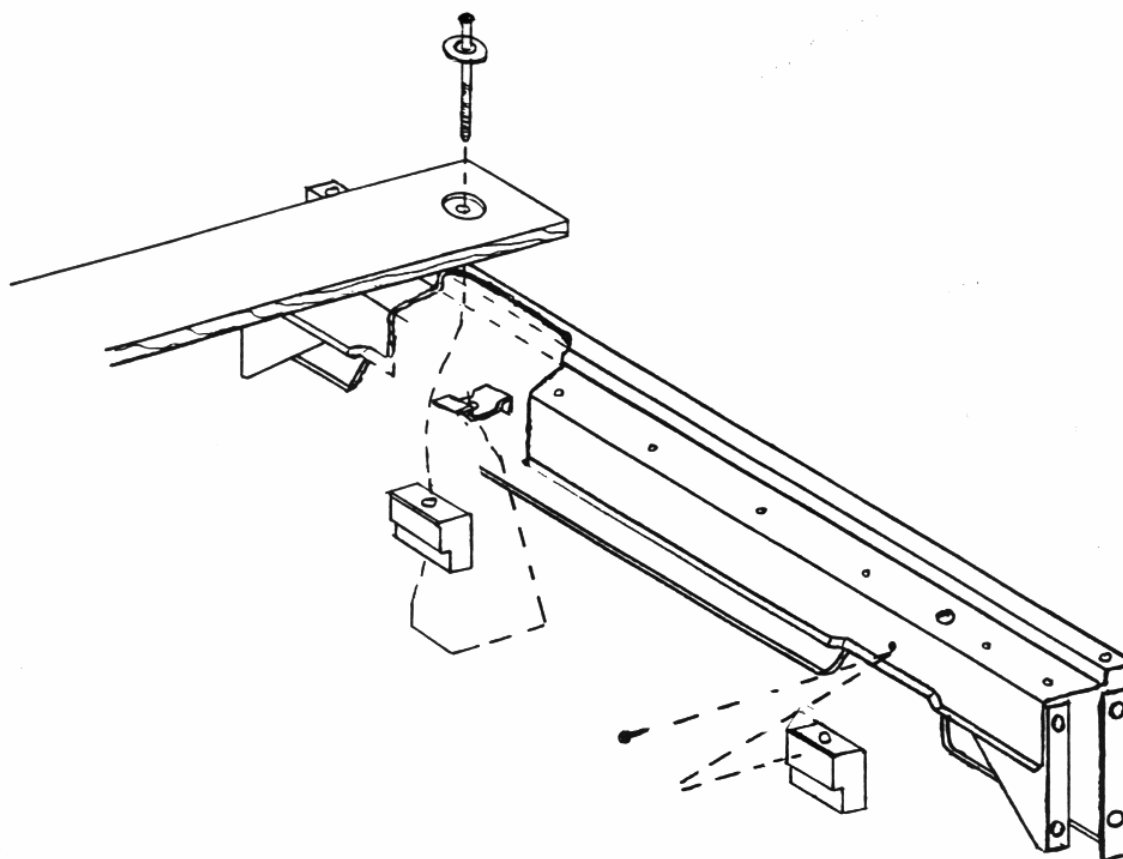


## 1980-87 FORD FLARESIDE REAR CROSS SILL WOOD BLOCK SUPPORTS

This instruction sheet covers the installation of the wood support blocks that fit into the 80-87 Ford Flareside rear cross sill.

1. This kit contains (2) wood support blocks and (2) wood screws.
2. These wood blocks are necessary to prevent the rear cross sill from crushing due to the tightening of the bed-to-frame mounting hardware and heavy loads placed into the bed of the truck.
3. The wood blocks fit inside the rear cross sill. The blocks fit between the top of the rear cross sill and the brackets welded in the sill. These brackets sit on the frame of the truck.
4. Wood screws hold the wood blocks in place until the bed-to-frame bolt is installed. (Refer to illustration below)
5. Sequence of parts installation is bed-to-frame bolt, countersunk washer, wood board, rear cross sill top, wood support block, rear cross sill inner bracket, and frame of truck.



©Copyright 1997 MAR-K Specialized Mfg. All rights reserved.

Another Outstanding Part Manufactured in Oklahoma City, USA by

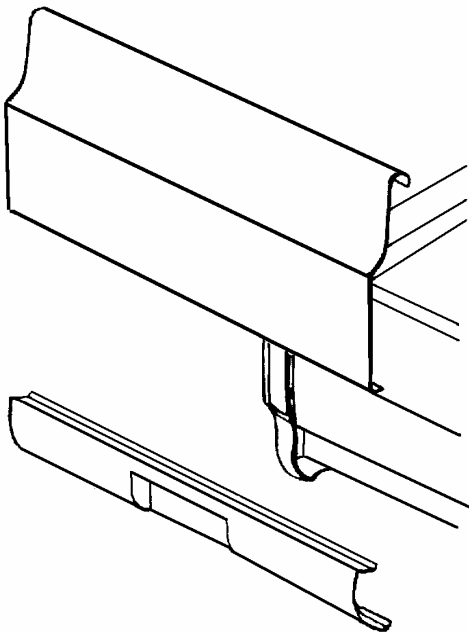
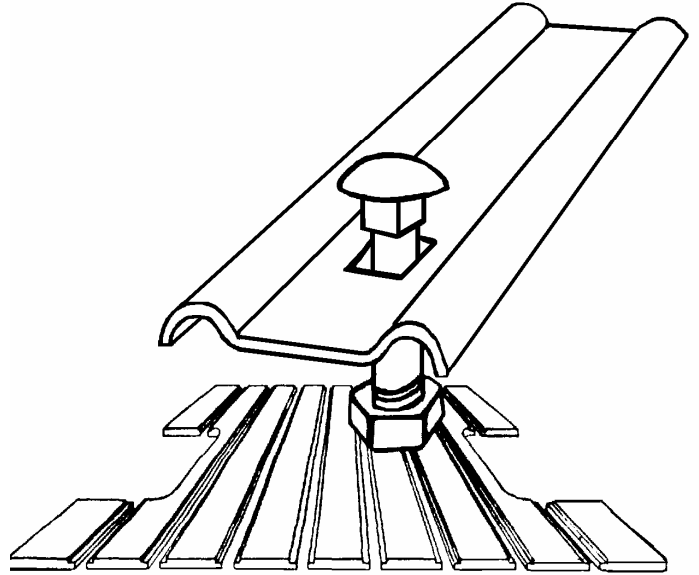


# RESTORATION & CUSTOM PICKUP PARTS

## BED STRIPS

## BED WOOD

- Bed Sides
- Tailgates
- Cross Sills
- Rear Sills
- Hardware
- Front Bed Panels



## REAR PANS FRONT PANS TAILGATE COVERS HANDLE KITS

- Weld on or bolt on panels
- Complete instructions included
- 18 Gage steel
- Smooth or Louvres

**\*\* PARTS AVAILABLE VARY EACH STYLE – CALL FOR MORE INFO\*\***