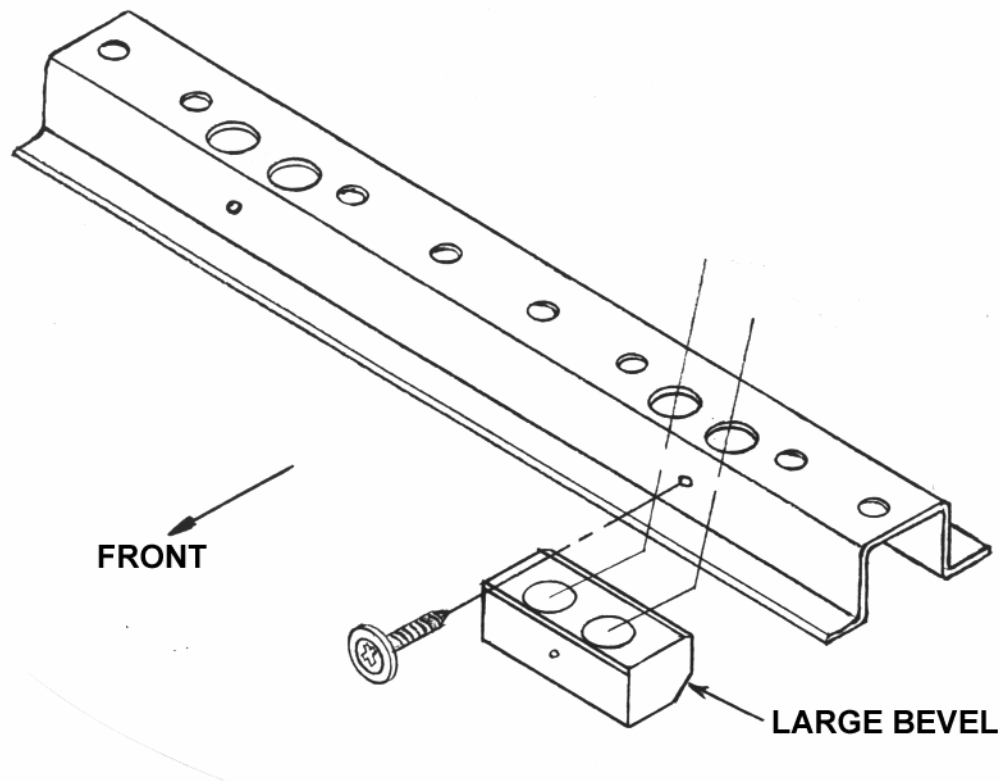


## 1980-87 FORD FLARESIDE #3 CROSS SILL WOOD BLOCK SUPPORTS

### Suggested Installation Instructions:

1. The small beveled edges of the wood block fit into the cross sill.
2. The cross sill has **5/8"** holes that are offset from the cross sill centerline. The wood block holes are made to match the cross sill and when installed the holes in both pieces should be offset toward the front of the bed.
3. The wood block also has a large bevel cut on the bottom of the block. This should be facing the rear of the bed when installed.
4. Attach the wood block to the cross sill with the small wood screw provided. Drill a **1/8"** diameter hole in the wood block to prevent splitting.



©Copyright 1997 MAR-K Specialized Mfg. All rights reserved.

Another Outstanding Part Manufactured in Oklahoma City, USA by

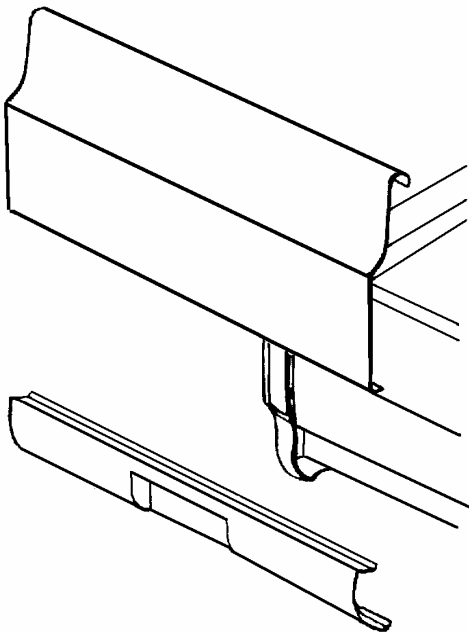
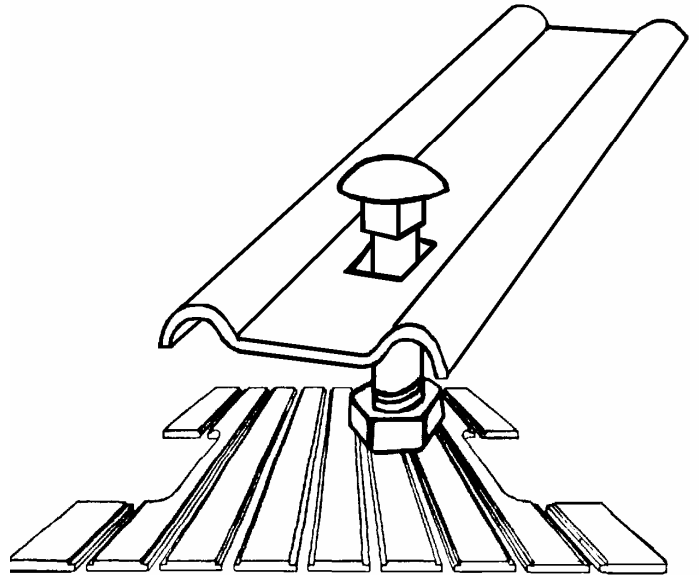
**MAR-K**  
RESTORATION AND CUSTOM PICKUP PARTS

# RESTORATION & CUSTOM PICKUP PARTS

## BED STRIPS

## BED WOOD

- Bed Sides
- Tailgates
- Cross Sills
- Rear Sills
- Hardware
- Front Bed Panels



## REAR PANS FRONT PANS TAILGATE COVERS HANDLE KITS

- Weld on or bolt on panels
- Complete instructions included
- 18 Gage steel
- Smooth or Louvres

**\*\* PARTS AVAILABLE VARY EACH STYLE – CALL FOR MORE INFO\*\***