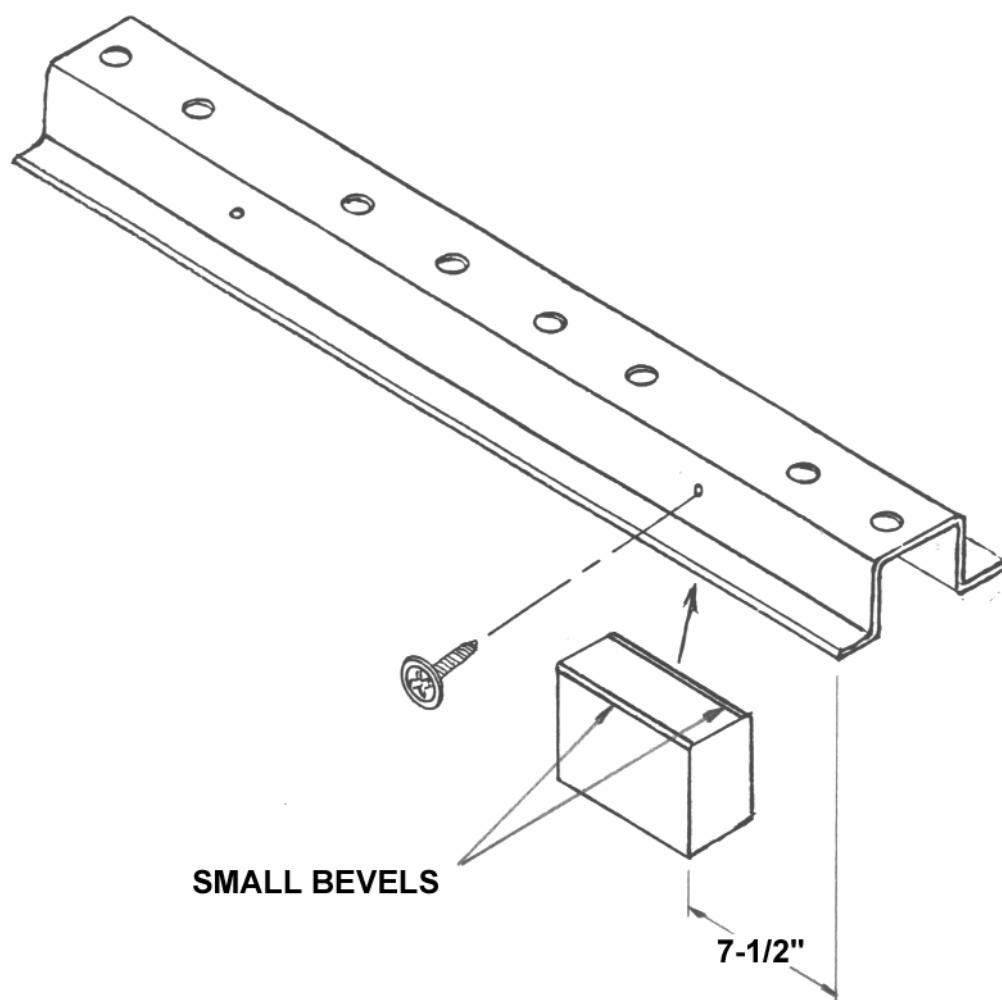


1976-87 FORD FLARESIDE #4 CROSS SILL WOOD SUPPORT BLOCKS

Suggested Installation Instructions:

1. The small beveled edges fit in the sill.
2. The blocks are placed starting at **7 1/2"** inward from the end of the sill on both sides.
3. The cross sill has a small screw hold in the side. Place the block in the sill and mark the block for the wood screw hole.
4. Remove the block and drill an **1/8"** hole. Attach with wood screw provided.



©Copyright 1997 MAR-K Specialized Mfg. All rights reserved.

Another Outstanding Part Manufactured in Oklahoma City, USA by

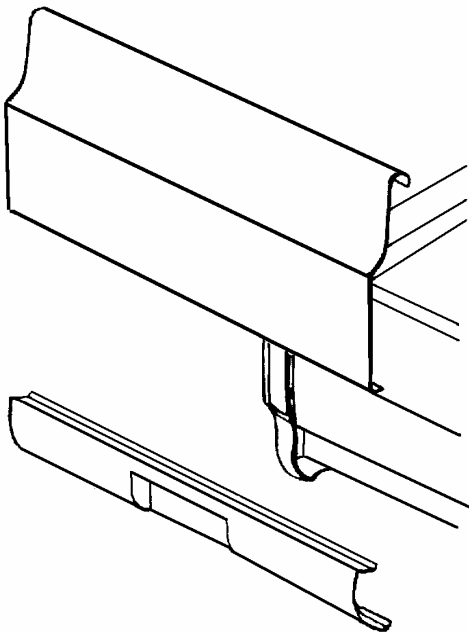
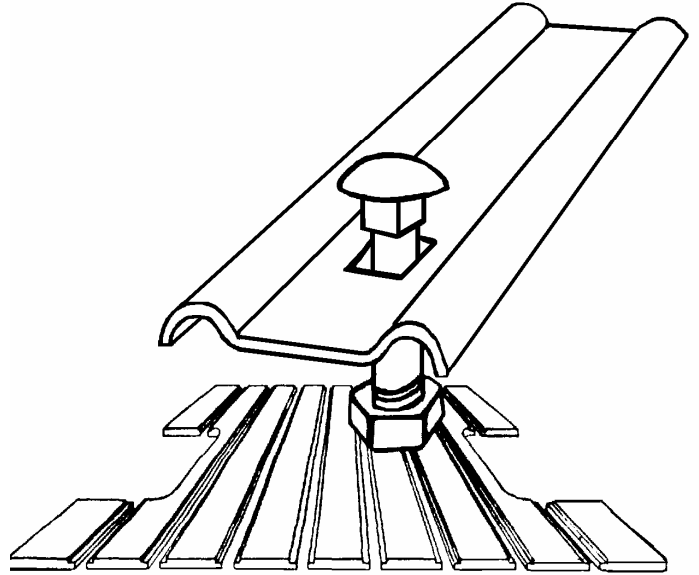
MAR-K
RESTORATION AND CUSTOM PICKUP PARTS

RESTORATION & CUSTOM PICKUP PARTS

BED STRIPS

BED WOOD

- Bed Sides
- Tailgates
- Cross Sills
- Rear Sills
- Hardware
- Front Bed Panels



REAR PANS FRONT PANS TAILGATE COVERS HANDLE KITS

- Weld on or bolt on panels
- Complete instructions included
- 18 Gage steel
- Smooth or Louvres

**** PARTS AVAILABLE VARY EACH STYLE – CALL FOR MORE INFO****