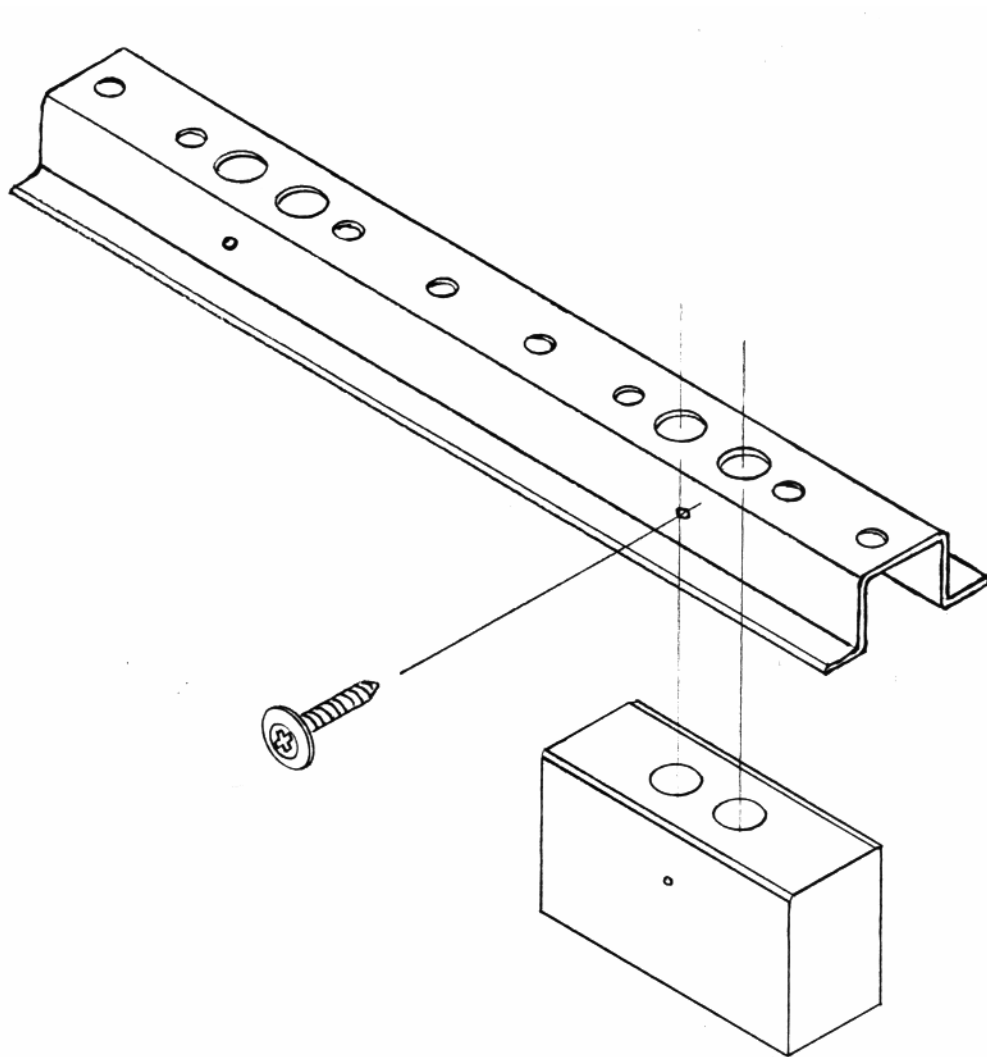


1976-87 FORD FLARESIDE #2 CROSS SILL SUPPORT BLOCKS

Suggested Installation Instructions:

1. The beveled edges of the wood block fit in the bottom of the cross sill.
2. The wood block has two **5/8"** holes that should line up with the **5/8"** holes in the cross sill.
3. Attach wood block into cross sill with small screw provided. Drill a **1/8"** diameter hole in wood block to prevent splitting.



©Copyright 1997 MAR-K Specialized Mfg. All rights reserved.

Another Outstanding Part Manufactured in Oklahoma City, USA by

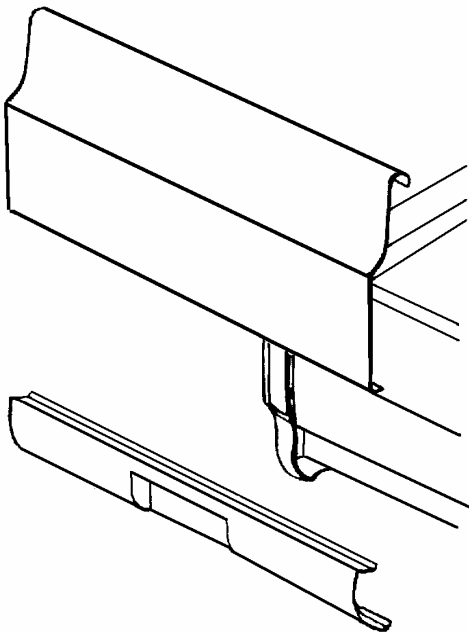
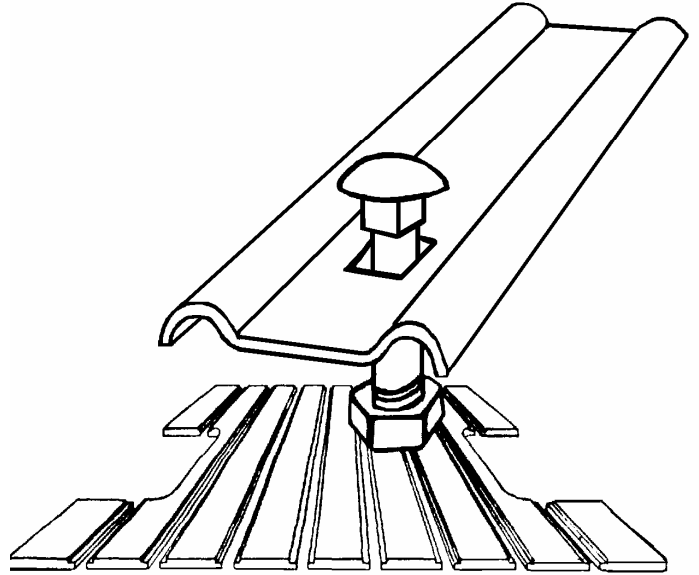


RESTORATION & CUSTOM PICKUP PARTS

BED STRIPS

BED WOOD

- Bed Sides
- Tailgates
- Cross Sills
- Rear Sills
- Hardware
- Front Bed Panels



REAR PANS FRONT PANS TAILGATE COVERS HANDLE KITS

- Weld on or bolt on panels
- Complete instructions included
- 18 Gage steel
- Smooth or Louvres

**** PARTS AVAILABLE VARY EACH STYLE – CALL FOR MORE INFO****